

FIG. 75 D

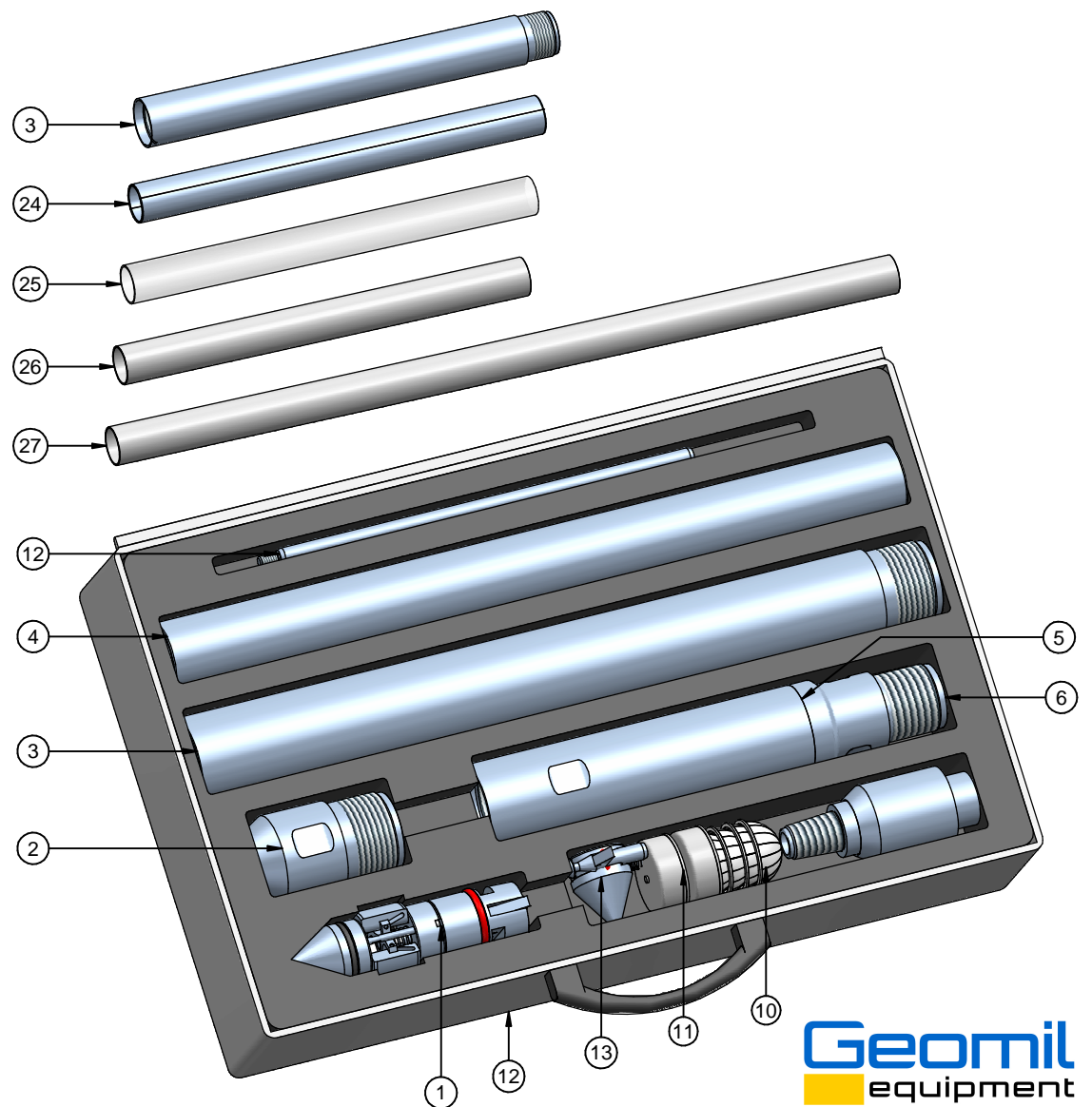
Soil sampler kit RANGER-46

RANGER-46 Soil sampler kit L=0.5m - 0075011003B			
#	QTY	DESCRIPTION	ITEM NO.
1	1	Retractable cone tip soil sampler R-46	0075012005
2	1	Cone tip housing soil sampler R-46	0075013060
3	1	Sample tube housing 0.5m R-46	0075013061
4	1	Sample tube 0.5m SS R-46	0075013024
5	1	Endpiece lower part soil sampler R-46	0075013062
6	1	Endpiece upper part to STD36 R-46	0075013063
7	1	Catcher pin soil sampler	0075012008
8	1	Guiding insert catcher STD36	0075013059
9	1	Casing cutting shoe	0076013001
10	5	Soil retainer basket medium R-46	0075013037
11	4	Endcap pipe PVC 50mm	3002030171
12	1	Case soil sampler RANGER-46	8505060007
13*	1	Spare part set soil sampler RANGER-46	0075983016

* Spare part set - 0075983016			
#	QTY	DESCRIPTION	ITEM NO.
14	10	Soc set screw cup point M4x4 DIN916 A2	1606030402
15	1	Catcher pin bottom soil sampler	0075013038
16	2	Catcher hook	0087403004
17	10	Dowel pin m6 3 x 26 mm	1603112603
18	10	O-ring 35x5 silicone	4022400700
19	2	Compression spring SS d=0.97 Do=6.1 L=25.4	1513010038
20	2	Compression spring SS d=1.24 Do=15.24 L=31.75	1513010049
21	10	O-ring 36x4 36624	4022010724
22	1	Cone tip soil sampler R-46	0075013029
23	1	Never seez normal NSB-4M 100gr	7010140032

Optional extras			
#	QTY	DESCRIPTION	ITEM NO.
3	1	Sample tube housing 0.5m R-46	0075013061
24	1	Split sample tube 0.5m SS R-46	0075013043
25	1	Sample tube 0.5m PMMA R-46	0075013023
26	1	Sample tube 0.5m PVC R-46	0075013022
27	1	Sample tube 1m PVC R-46	0075013040

Extended 1m version with extra items (3) and (27)



THIS SCHEME HAS BEEN DRAWN WITH UTMOST CARE. HOWEVER, ERRORS CAN NEVER BE EXCLUDED AND ANY FAILURES, DAMAGES OR INJURIES BASED THEREON ARE DEPRIVED FROM LIABILITY CLAIMS AGAINST GEOMIL, ITS STAFF, DISTRIBUTORS AND AGENTS.